



Partner in weighing & automation

HIGH-SPEED ONLINE CHECKWEIGHER

MODEL: AW – CWS - B3-6S SERIES

LCS Controls, we measure accurate

We, LCS Controls is a leading manufacturer of industrial weighing and Customized Solution Partner. Our mission is to increase the reliability, safety, and efficiency of our customers' production processes.

- ✓ B3-6S Series is an Hi-speed Checkweigher system
- ✓ High Accuracy with Reliable performance, Cost Effective and weighing range upto 10kg
- ✓ Easy to install and Easy to operate – very user friendly
- ✓ Model approved by Weights & Measures Department.
- ✓ Proud to be a MAKE IN INDIA product
- ✓ We provide high-quality products, solutions, and services that ensure a high level of safety all under one roof now, a total one-stop solution provider for all. .
- ✓ We are an ISO 9001:2015 certified company



Model : B3-6S



HYGENIC PRODUCT INDUSTRIES



BABY PRODUCT INDUSTRIES



PESTICIDES INDUSTRIES



BABY PRODUCT INDUSTRIES

Our strong Domestic and global presence and an extensive network of distribution partners ensure that our customers can rely on top LCS Controls Product quality– anytime, anywhere. Our strong standards in all areas of our company, which is reflected in our brand slogan,

“Your Partner in Weighing and Automation”.

High-speed Online Checkweigher - B3-6S

HIGH-SPEED ONLINE CHECK WEIGHER

MODEL: AW – CWS - B3-6S SERIES

Products can be handled

- ✓ Bottle / Cream Tube Packing Lines
- ✓ Packed Carton Boxes
- ✓ Flat Base Bottles
- ✓ Pouches / Sachets
- ✓ Edible Oil Cans / Bottles / Pouches
- ✓ FFS Machines Lines
- ✓ Liquid Filling Lines
- ✓ Retrofit lines for FFS / Carton Tapping M/C's & Shrink Wrap M/C's
- ✓ Lube Oil Filling Lines
- ✓ High speed measuring lines & etc..

Industries we served



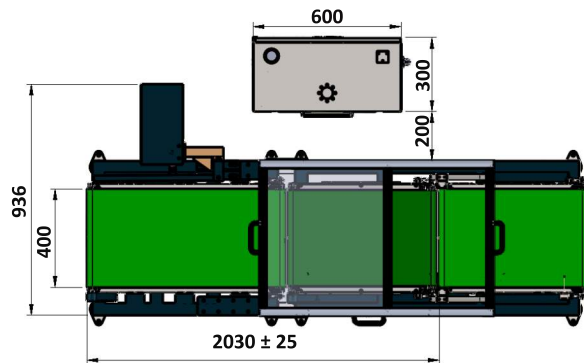
Product specifications :

Product Description	Specifications
MOC	SS / MS
Weighing Range	100 gm to 10 Kg
Weigh Belt size	L: 600 x W: 400mm
Best Accuracy	+/- 3gm
Measuring Product size	Min Size: L: 100mm x W: 100mm / Max Size: L: 350mm x W: 400mm
Max Throughput (Speed)	Upto 80 PPM
Conveyor Height	750mm +/-50mm
Alarm Type	Visual and Alarm
Rejection Type	Air jet, Pusher, Divertor.,

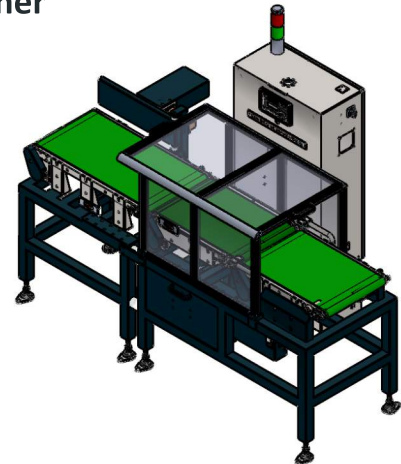
Products can be handle on B3-6S model



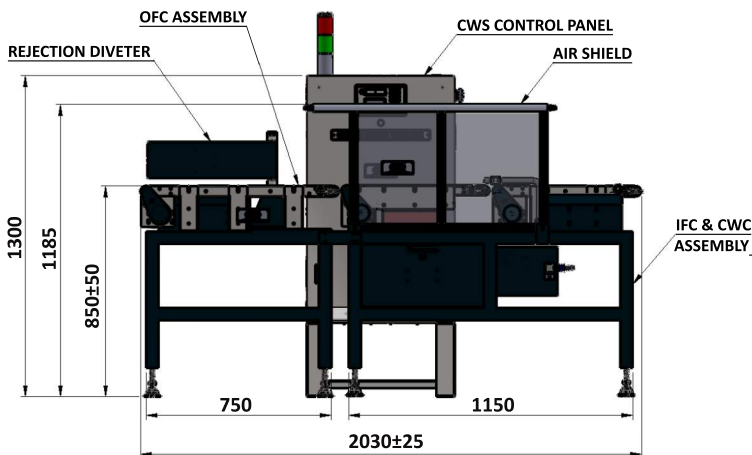
GA Diagram for B3-6S series - High speed Online checkweigher



PLAN

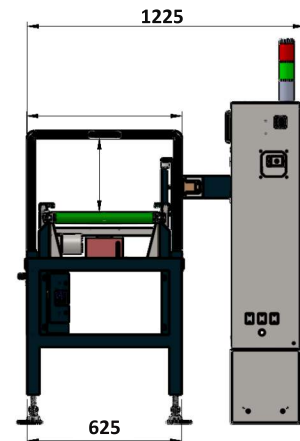


ISOMETRIC VIEW



ELEVATION

GA OF B3 CHECKWEIGHER WITH DIVERTER



SIDE VIEW

High-speed Online Checkweigher - B3-6S

High-speed Online Checkweigher - AW – CWS - B3-6S SERIES

Product selection guide with part-code for the B3-6S series checkweigher

CHECKWEIGHER WITH CONTROL PANEL	AIR-SHIELD	CHECKWEIGHER WITH CONTROL PANEL & IN-FEED CONVEYOR	OUT-FEED CONVEYOR	TOUCH SCREEN ONLINE DATA ACQUISITION	REJECTION COLLECTION	REJECTION TYPE		
						DIVERTOR	PUSHER	AIRJET
B36SA0-CP-SF B36S CW_PU MS BELT CONVEYOR WITH CONTROL PANEL AND BASE FRAME	B36SAS10 B36S MS_ACRYLIC AIRSHIELD	B36SA0-CP-IF-DF B36S IFC_PU MS BELT CONVEYOR WITH CONTROL PANEL AND INFEED CONVEYOR & INTEGRATED BASE FRAME	B36SOBA0-BF B36S OFC_PU MS BELT CONVEYOR WITH BASE FRAME	TS7 7" TOUCH SCREEN – ONLINE DATA ACQUISITION SYSTEM	B36SRT0 B36S MS_REJECTION COLLECTION TRAY			
B36SB0-CP-SF B36S CW_PVC MS BELT CONVEYOR WITH CONTROL PANEL AND BASE FRAME	B36SAS20 B36S MS_ALU AIRSHIELD WITH OPEN CLOSE	B36SB0-CP-IF-DF B36S IFC_PVC MS BELT CONVEYOR WITH CONTROL PANEL AND INFEED CONVEYOR & INTEGRATED BASE FRAME	B36SOBB0-BF B36S OFC_PVC MS BELT CONVEYOR WITH BASE FRAME	TS15 15" TOUCH SCREEN – ONLINE DATA ACQUISITION SYSTEM	B36SRB0 B36S MS_REJECTION COLLECTION BIN	B36SRD10 B36S MS_REJECTION DIVERTOR MECHANISM	B36SERP0 B36S MS_REJECTION PUSHER EXTERNAL_300 MM	B36SRAJ0 B36S MS_REJECTION AIRJET MECHANISM
B36SA1-CP-SF B36S CW_PU SS304 BELT CONVEYOR WITH CONTROL PANEL AND BASE FRAME	B36SAS11 B36S SS304_ACRYLIC AIRSHIELD	B36SA1-CP-IF-DF B36S IFC_PU SS304 BELT CONVEYOR WITH CONTROL PANEL AND INFEED CONVEYOR & INTEGRATED BASE FRAME	B36SOBA1-BF B36S OFC_PU SS304 BELT CONVEYOR WITH BASE FRAME		B36SRT1 B36S SS304_REJECTION COLLECTION TRAY	B36SRD11 B36S SS304_REJECTION DIVERTOR MECHANISM	B36SERP1 B36S SS304_REJECTION PUSHER EXTERNAL_300 MM	B36SRAJ1 B36S SS304_REJECTION AIRJET MECHANISM
B36SB36S-CP-SF B36S CW_PVC SS304 BELT CONVEYOR WITH CONTROL PANEL AND BASE FRAME	B36SAS21 B36S SS304_ALU AIRSHIELD WITH OPEN CLOSE	B36SB36S-CP-IF-DF B36S IFC_PVC SS304 BELT CONVEYOR WITH CONTROL PANEL AND INFEED CONVEYOR & INTEGRATED BASE FRAME	B36SOBB36S-BF B36S OFC_PVC SS304 BELT CONVEYOR WITH BASE FRAME		B36SRB1 B36S SS304_REJECTION COLLECTION BIN	B36SRD12 B36S SS316_REJECTION DIVERTOR MECHANISM	B36SERP2 B36S SS316_REJECTION PUSHER EXTERNAL_300 MM	B36SRAJ2 B36S SS316_REJECTION AIRJET MECHANISM
B36SA2-CP-SF B36S CW_PU SS316 BELT CONVEYOR WITH CONTROL PANEL AND BASE FRAME	B36SAS12 B36S SS316_ACRYLIC AIRSHIELD	B36SA2-CP-IF-DF B36S IFC_PU SS316 BELT CONVEYOR WITH CONTROL PANEL AND INFEED CONVEYOR & INTEGRATED BASE FRAME	B36SOBA2-BF B36S OFC_PU SS316 BELT CONVEYOR WITH BASE FRAME		B36SRT2 B36S SS316_REJECTION COLLECTION TRAY			
B36SB2-CP-SF B36S CW_PVC SS316 BELT CONVEYOR WITH CONTROL PANEL AND BASE FRAME	B36SAS22 B36S SS316_ALU AIRSHIELD WITH OPEN CLOSE	B36SB2-CP-IF-DF B36S IFC_PVC SS316 BELT CONVEYOR WITH CONTROL PANEL AND INFEED CONVEYOR & INTEGRATED BASE FRAME	B36SOBB2-BF B36S OFC_PVC SS316 BELT CONVEYOR WITH BASE FRAME		B36SRB2 B36S SS316_REJECTION COLLECTION BIN			

Typical Order selection guide :

Selection guide 1:

CHECKWEIGHER WITH CONTROL PANEL (PU BELT)

B36SA0-CP-SF

Selection guide 2:

CHECKWEIGHER INFEED CONVEYOR **AIR SHIELD** **OUT FEED CONVEYOR** **REJECTION COLLECTION** **OUT FEED CONVEYOR**

B36SA0-CP-IF-DF **B36SAS10** **B36SOBA0-BF** **B36SRT0** **B36SRD10**

Please select the required product Code and Send to us for the quotation
Our Email address : sales@lcscontrols.in

